

Note :

< for Slide motor circuit, Photo TR (1) circuit and Motor Circuit > (Page 27)

- S501 : Lock detect switch.
- S502 : Clamp detect switch.
- S503 : Clamp detect switch.

< for Deck circuit, Mechanism (Deck 2) circuit and Mechanism (Deck 1) circuit > (Page 29 ~ 31)

- | | |
|---|---|
| • S951 : Deck 1 mode detect switch. | • S975 : Deck 2 record detect switch. |
| • S952 : Deck 1 tape detect switch. | • VR101 : Deck 1 playback gain control (L). |
| • S953 : Deck 1 CrO ₂ detect switch. | • VR102 : Deck 1 playback gain control (R). |
| • S971 : Deck 2 mode detect switch. | • VR103 : Deck 2 playback gain control (L). |
| • S972 : Deck 2 tape detect switch. | • VR104 : Deck 2 playback gain control (R). |
| • S973 : Deck 2 CrO ₂ detect switch. | • VR201 : Deck 2 normal speed control. |
| • S974 : Deck 2 record detect switch. | |

< for Servo circuit > (Page 32 ~ 33)

- S701 : Reset switch

< for Tuner circuit and Tuner Pack circuit> (Page 34 ~ 37)

< for Connection circuit, Operation (2) circuit, Photo TR (2) circuit and Power circuit > (Page 38)

- | | |
|---|------------------------------------|
| • S751 : Open deck 2 switch. | • S758 : Record start/stop switch. |
| • S752 : Open deck 1 switch. | • S759 : Normal switch. |
| • S753 : Stop/Tuning switch. | • S760 : High switch. |
| • S754 : Pause/Memory/Play switch. | • S761 : Clock switch. |
| • S755 : Play/FM/BP switch. | • S765 : Timer switch. |
| • S756 : Rewind/Tuning/Time (-) switch. | • S766 : Reverse mode switch. |
| • S757 : Fast forward/Tuning/Time (+) switch. | |

< for Panel Circuit, Operation (1) circuit and CD switch circuit > (Page 39)

- | | |
|------------------------------|--------------------------------------|
| • S701 : CD switch. | • S713 : Skip/Group name (+) switch. |
| • S702 : Single play switch. | • S714 : Skip/Group name (-) switch. |
| • S704 : CD edit switch. | • S718 : Group name enter switch. |
| • S705 : Group A switch. | • S771 : Power switch. |
| • S706 : Group B switch. | • S772 : Timer record/Play switch. |
| • S707 : Group C switch. | • S774 : Deck 1/2 switch. |
| • S708 : Group D switch. | • S775 : CD switch. |
| • S709 : Group E switch. | • S776 : Tuner switch. |
| • S710 : Group F switch. | • S777 : AUX switch. |
| • S711 : Group mode switch. | • S778 : EQ space switch. |
| • S712 : Group enter switch. | • S779 : VBASS switch. |









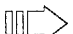
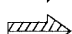
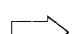
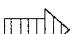
< for Headphone circuit and Control circuit > (Page 40 ~ 41)

- VR603 : Jog volume control.

< for Supporting circuit > (Page 42 ~ 43)

< for Main circuit > (Page 44 ~ 45)

• Signal line


- | | | |
|---|--|--|
|  : +B line |  : Playback signal line |  : AM signal line |
|  : -B line |  : Record signal line |  : AM OSC signal line |
|  : FM/AM signal line |  : CD signal line |  : FM OSC signal line |
|  : Main signal line |  : FM signal line |  : Aux signal line |

•The voltage value and waveforms are the reference voltage of this unit measured by DC electronic voltmeter (high impedance) and oscilloscope on the basis of chassis.

Accordingly, there may arise some error in voltage values and waveforms depending upon the internal impedance of the tester or the measuring unit.

No mark : Playback << >>.....Tape Recording (()) : CD ()..... AM < > FM

•Importance safety notice:

Components identified by  mark have special characteristics important for safety. Furthermore, special parts which have purposes of fire-retardant (resistors), high-quality sound (capacitors), low-noise (resistors), etc. are used. When replacing any of components, be sure to use only manufacturer's specified parts shown in the parts list.

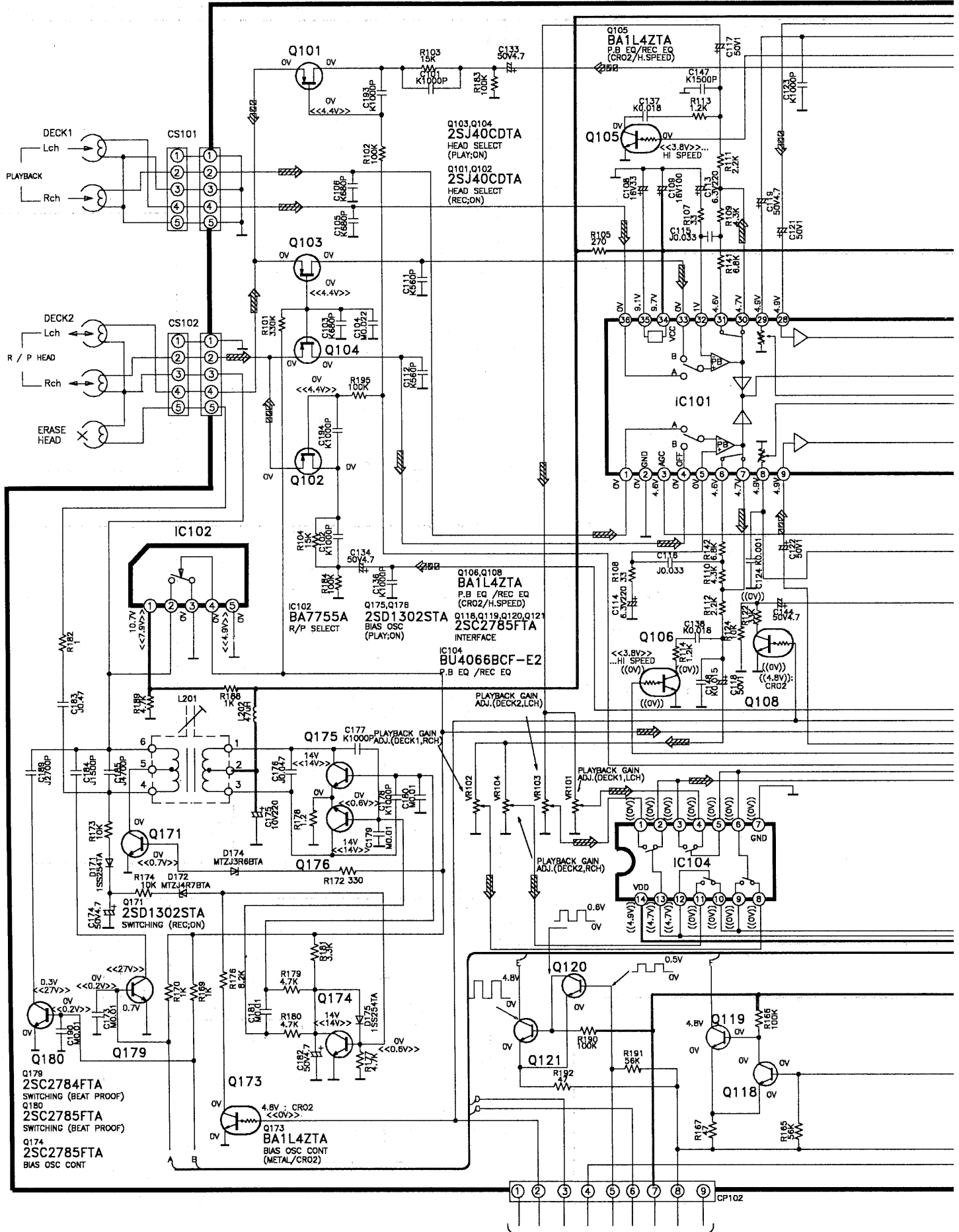
Caution !

IC, LSI and VLSI are sensitive to static electricity. Secondary trouble can be prevented by taking care during repair.

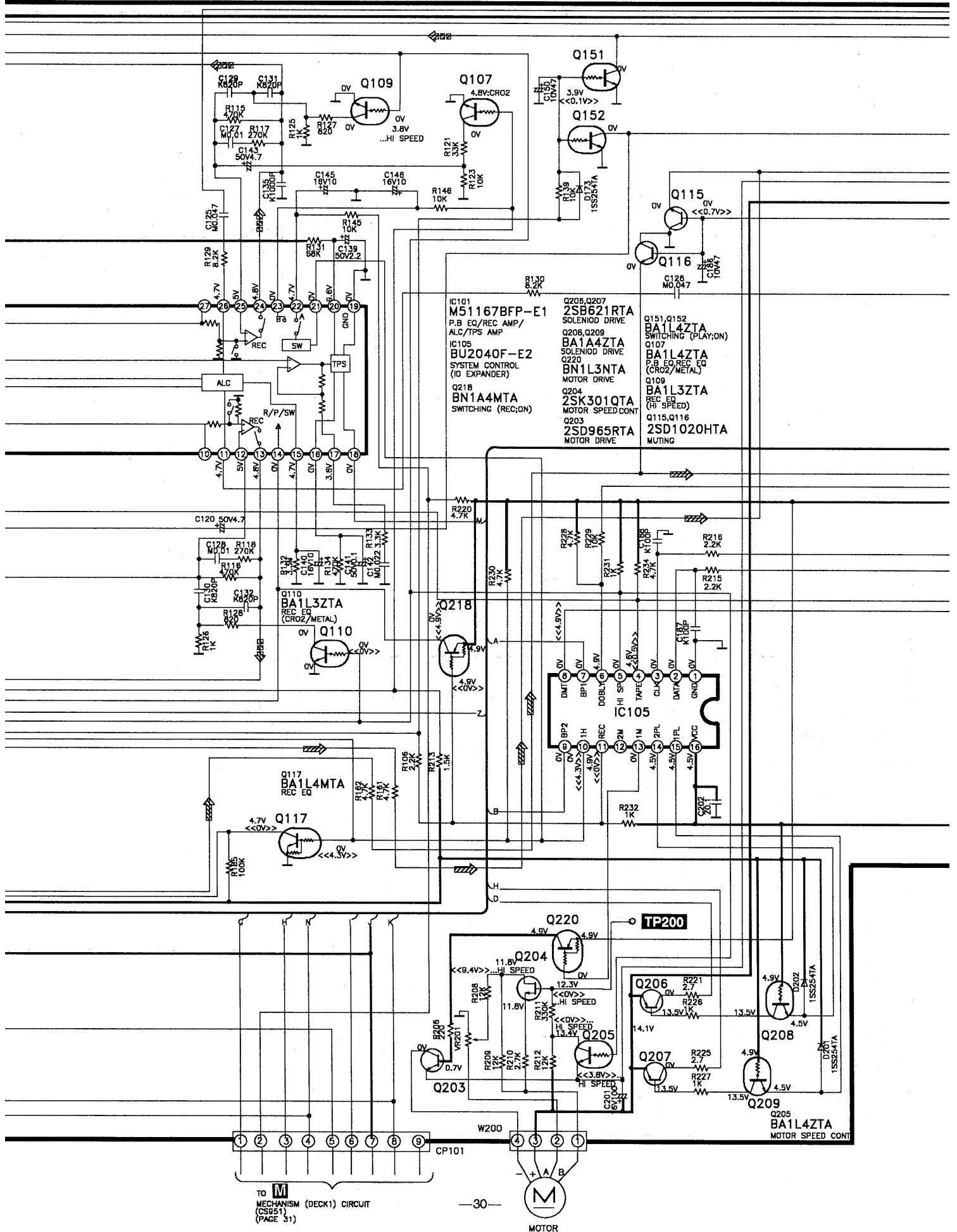
- Cover the parts boxes made of plastics with aluminium foil.
- Ground the soldering iron.

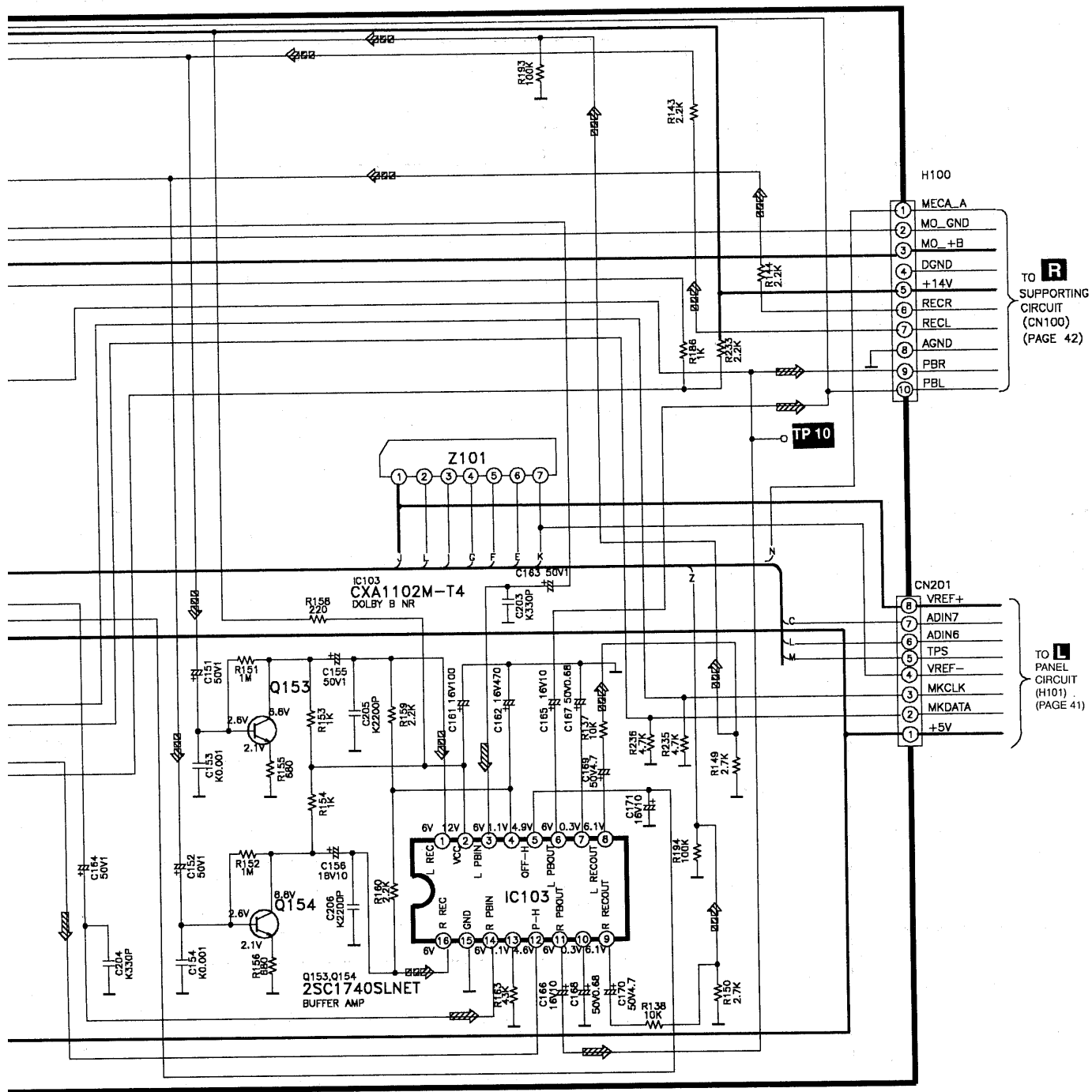
- Do not touch the pins of IC, LSI or VLSI with fingers directly.
- Put a conductive mat on the work table.

O DECK CIRCUIT

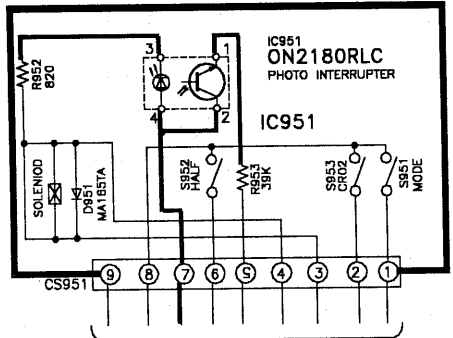


TD
MECHANISM (DECK2) CIRCUIT
(CS971)
(PAGE 31)



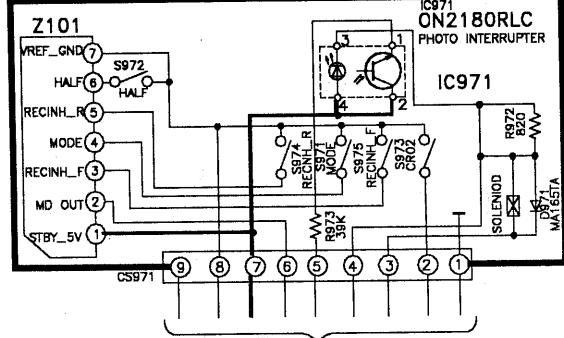


M MECHANISM (DECK 1) CIRCUIT



TO DECK CIRCUIT (CP101) (PAGE 30)

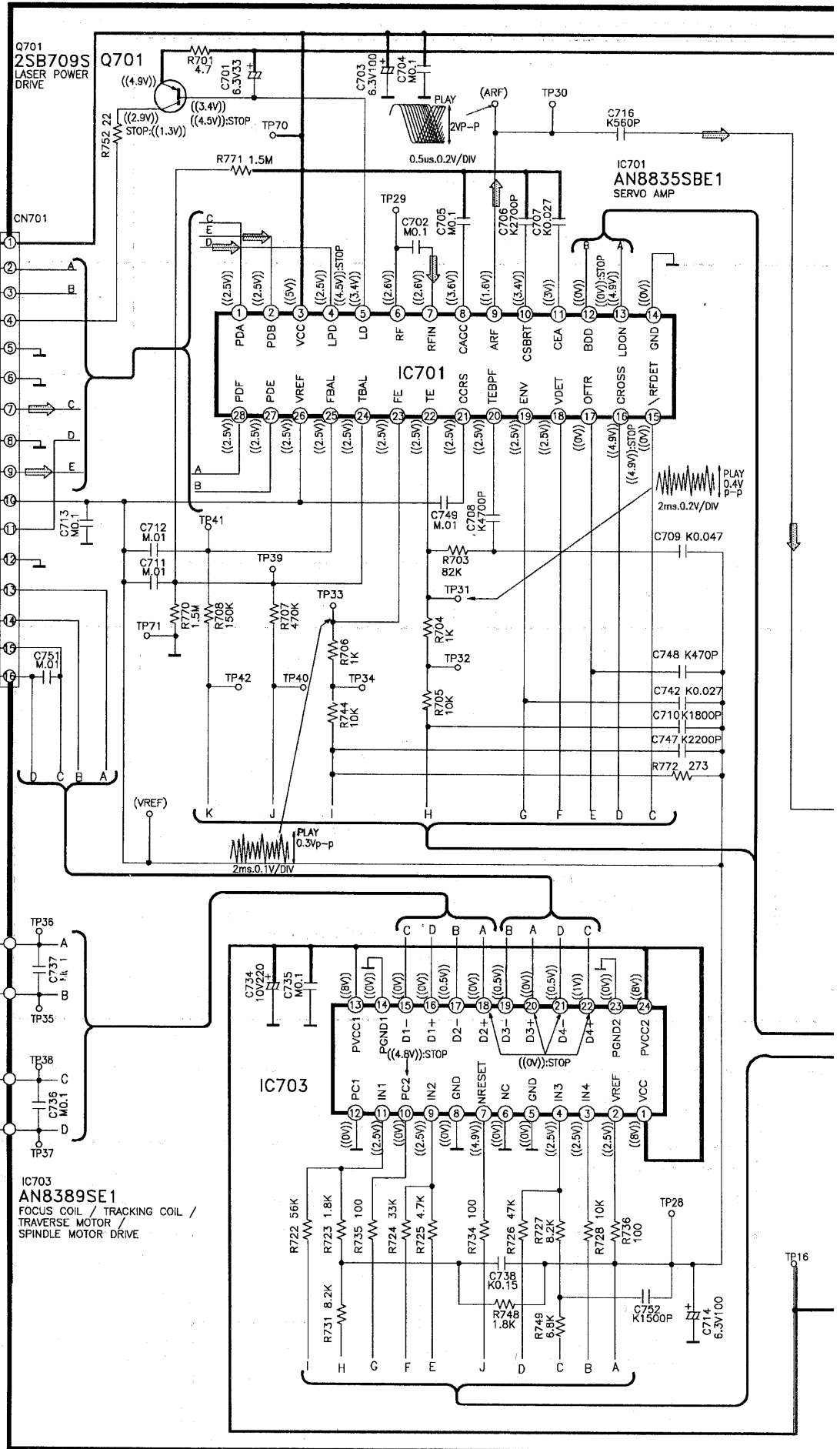
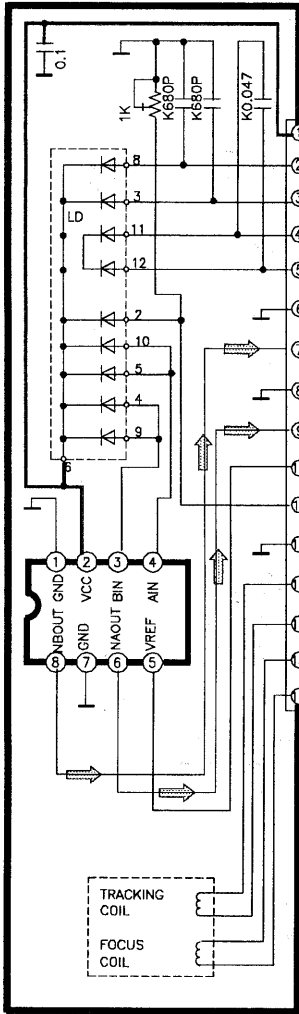
N MECHANISM (DECK 2) CIRCUIT

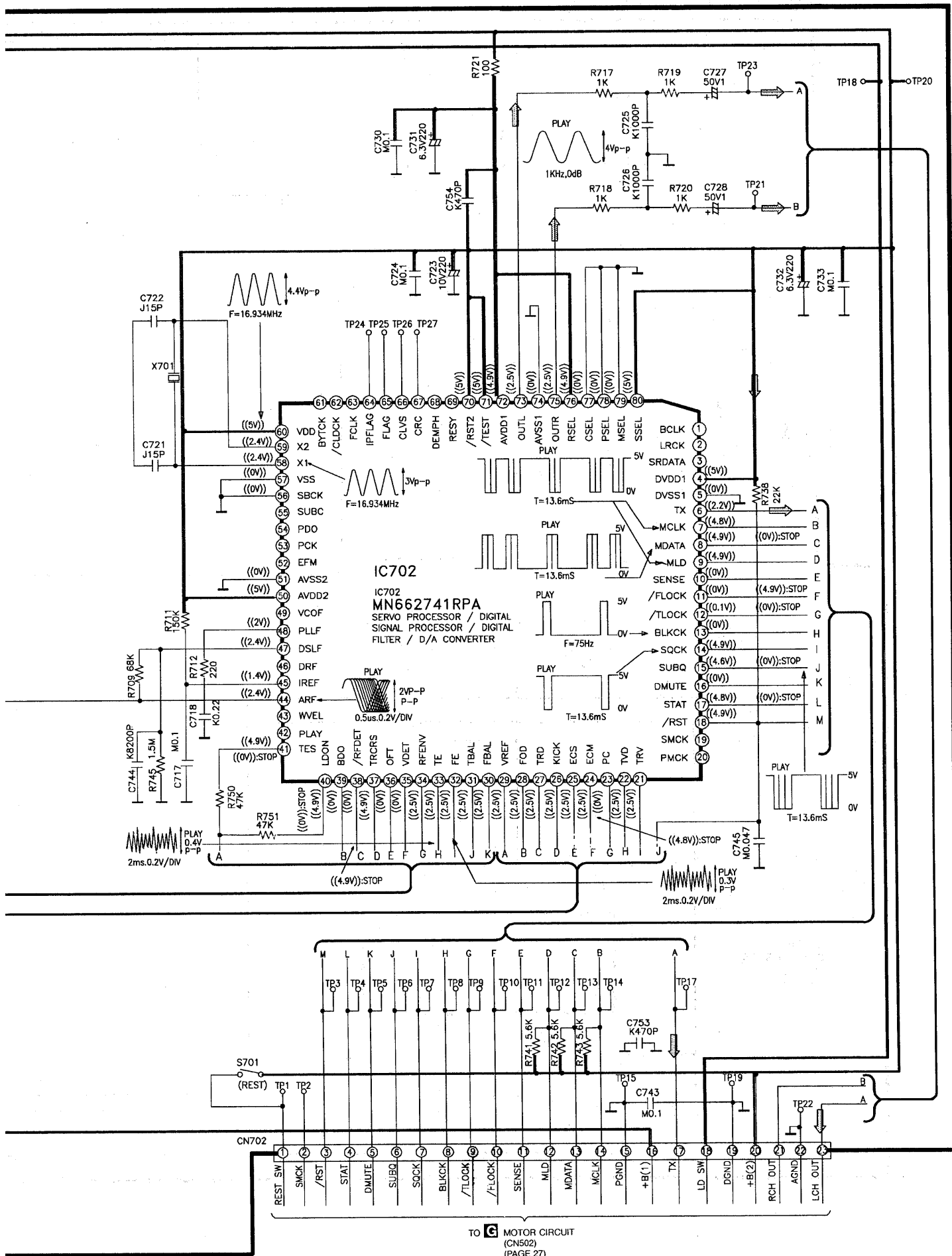


TO DECK CIRCUIT (CP102) (PAGE 29)

A SERVO CIRCUIT

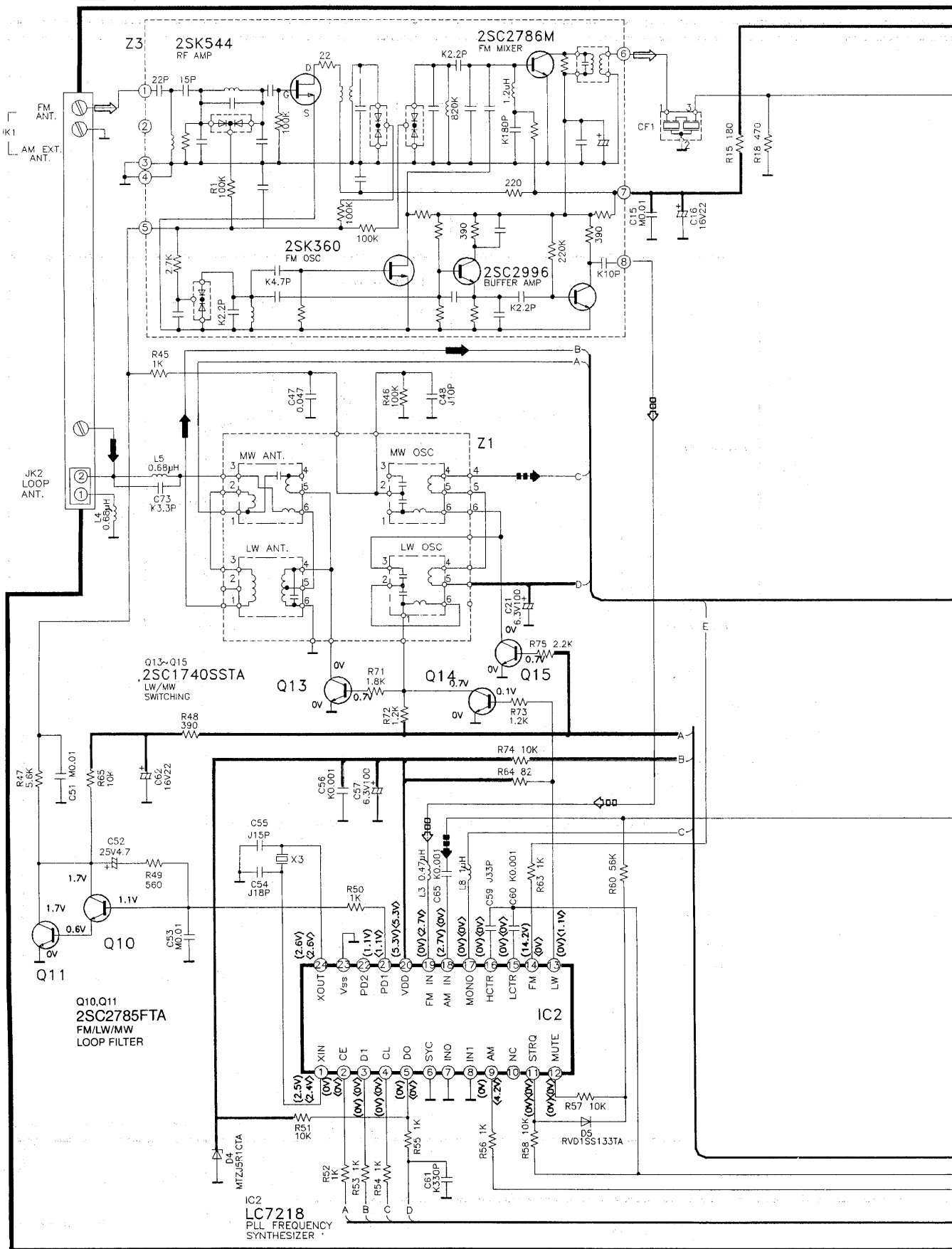
OPTICAL PICKUP

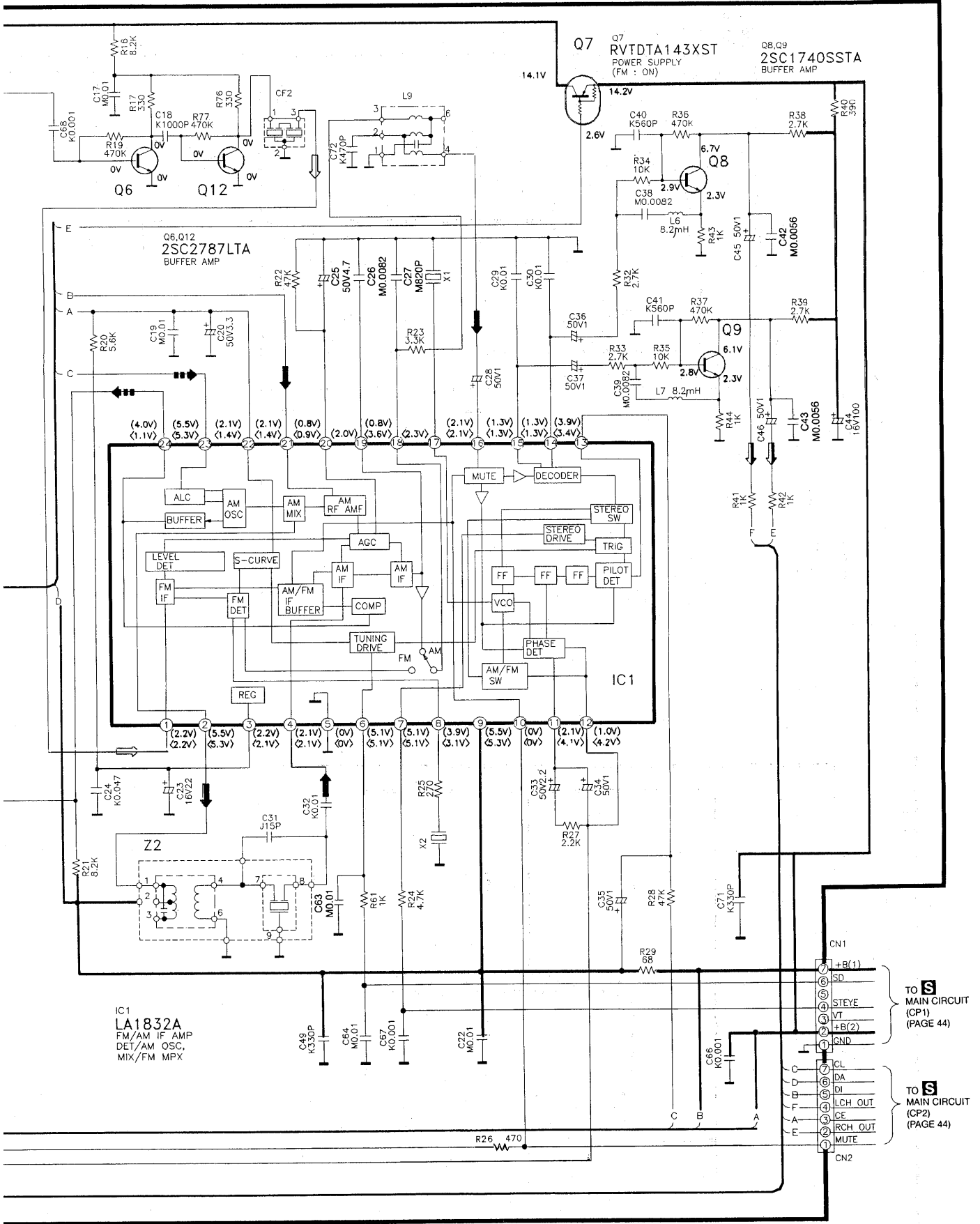




TO MOTOR CIRCUIT (CN502) (PAGE 27)

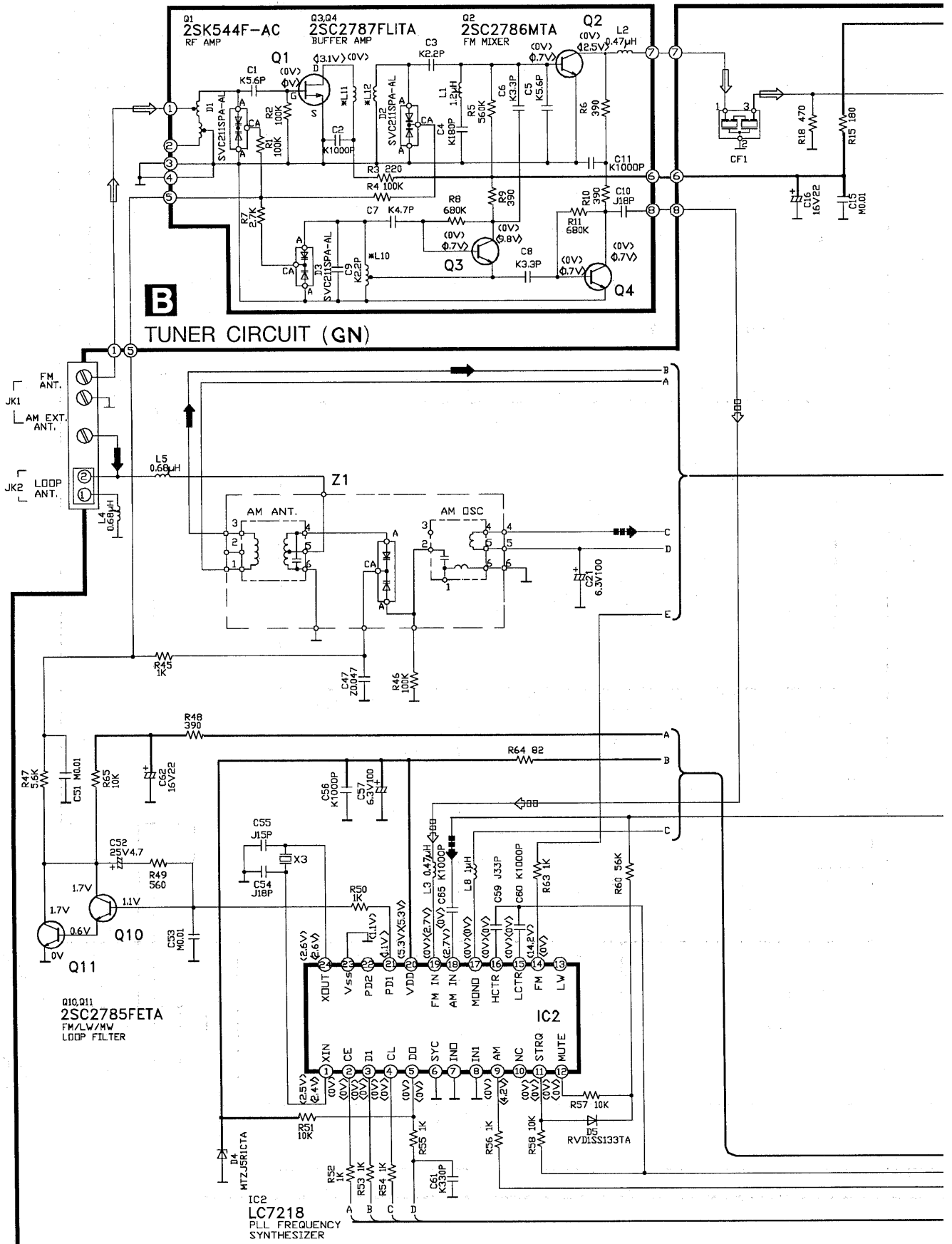
B TUNER CIRCUIT (E,EB,EG)

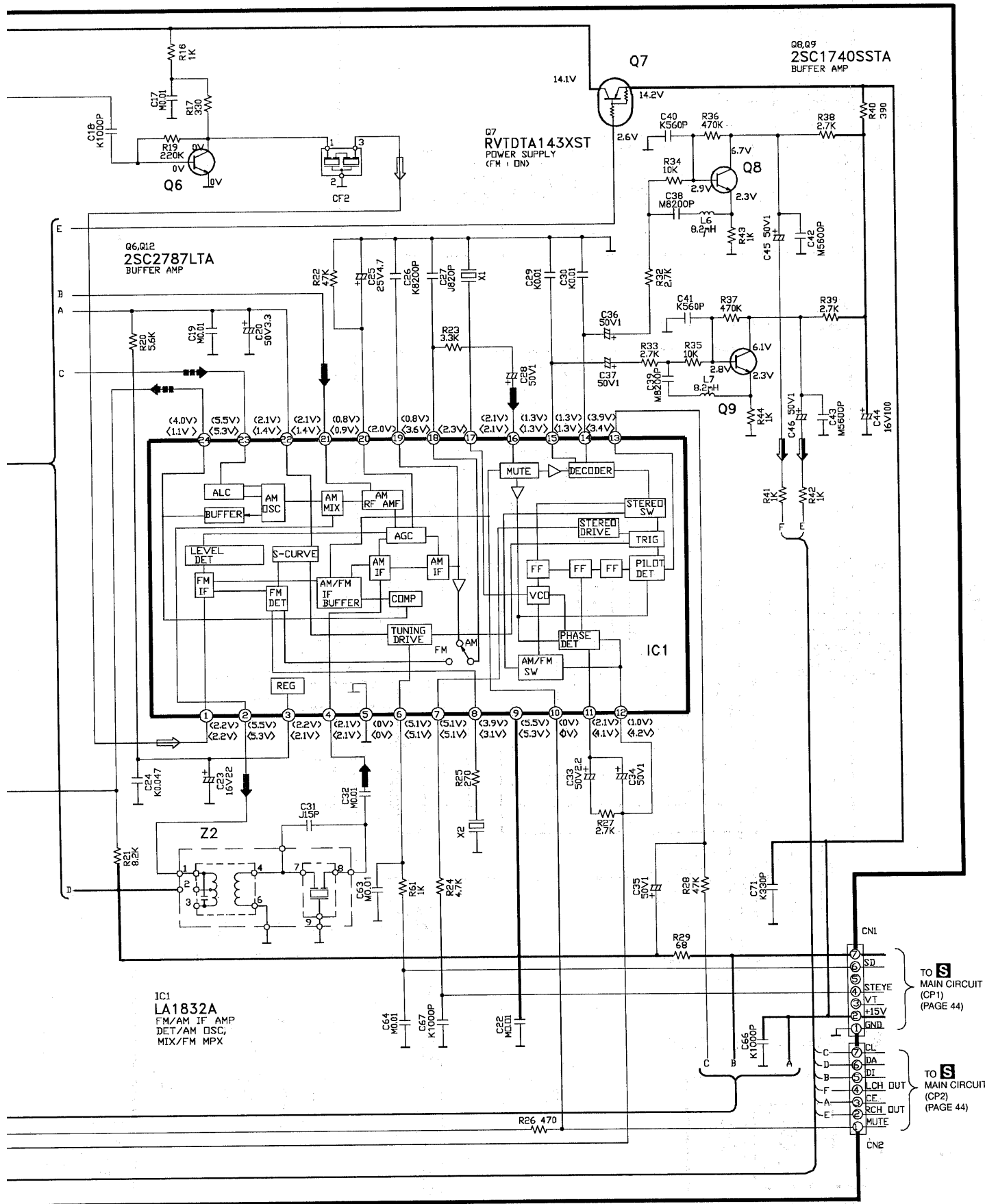




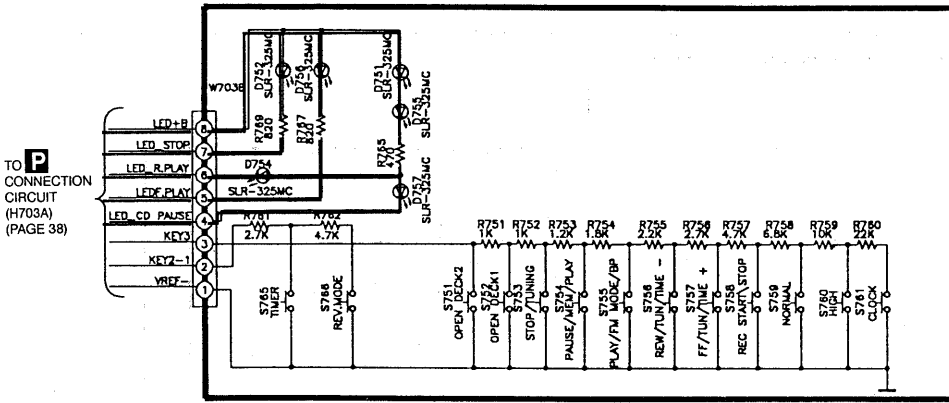
T TUNER PACK CIRCUIT (GN)

B TUNER CIRCUIT (GN)



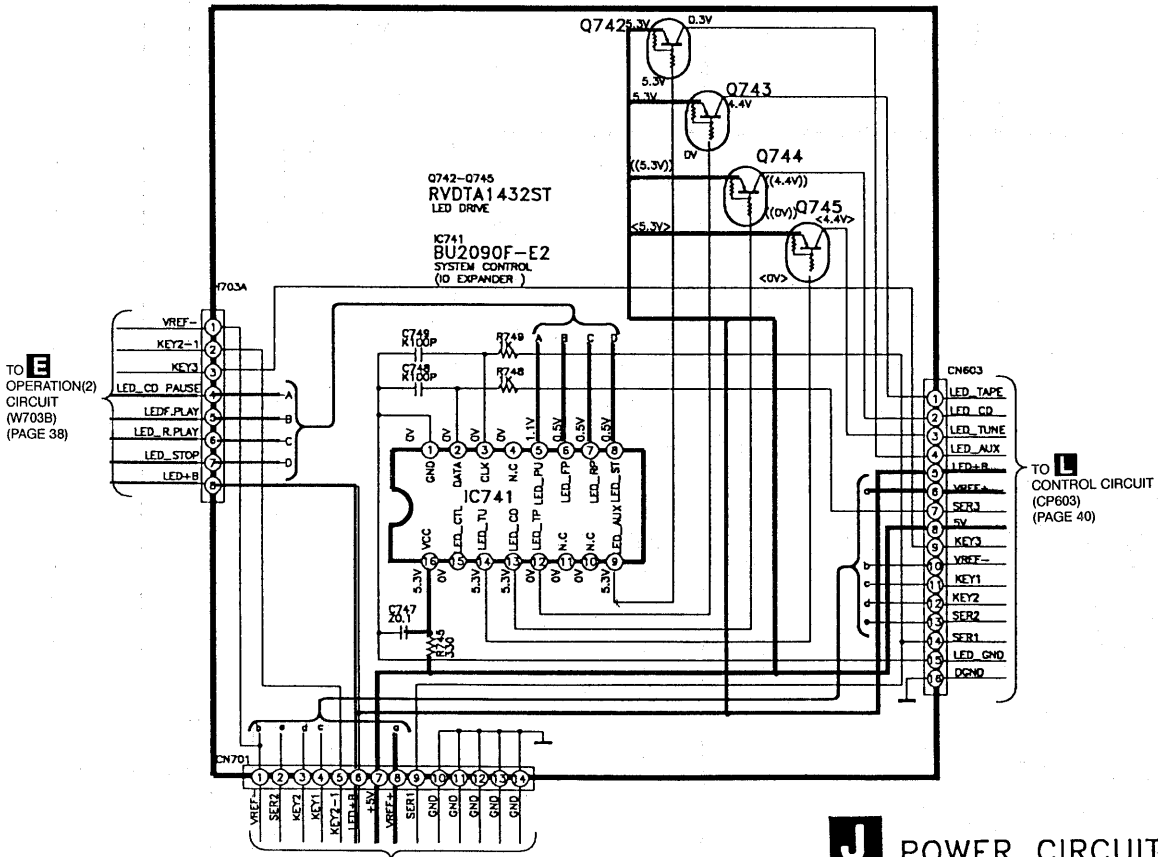


E OPERATION (2) CIRCUIT



TO **P** CONNECTION CIRCUIT (H703A) (PAGE 38)

P CONNECTION CIRCUIT

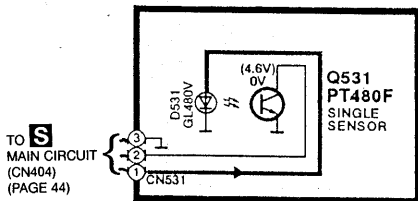


TO **E** OPERATION(2) CIRCUIT (W703B) (PAGE 38)

TO **L** CONTROL CIRCUIT (CP603) (PAGE 40)

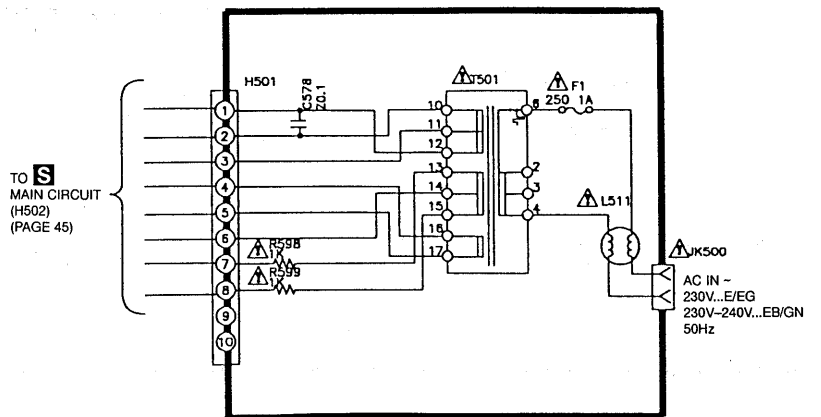
TO **F** OPERATION(1) CIRCUIT (CP701) (PAGE 39)

I PHOTO TR.(2) CIRCUIT



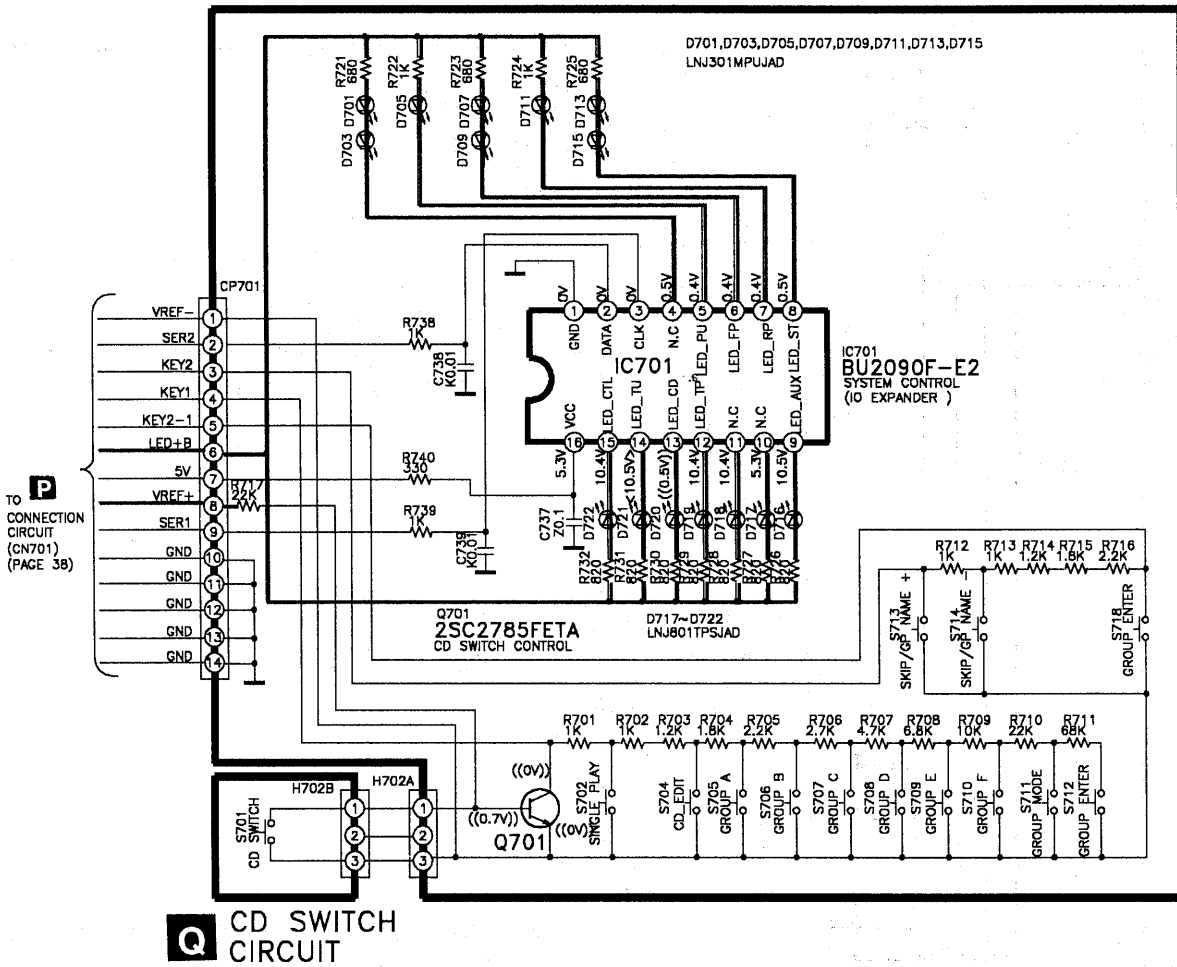
TO **S** MAIN CIRCUIT (CN404) (PAGE 44)

J POWER CIRCUIT



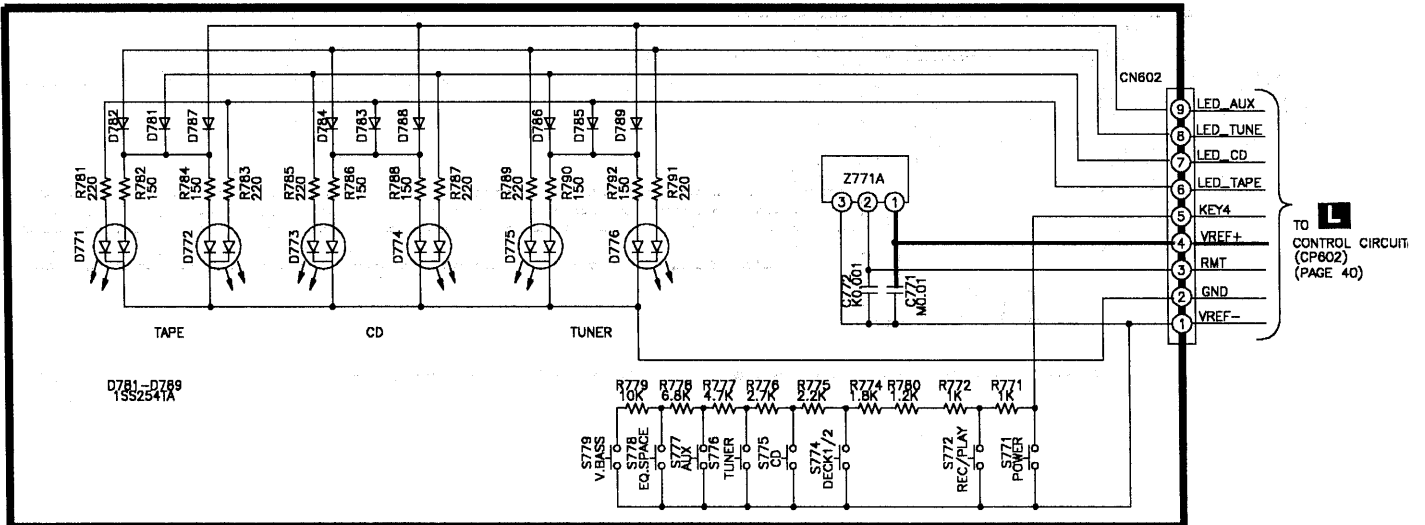
TO **S** MAIN CIRCUIT (H502) (PAGE 45)

F OPERATION (1) CIRCUIT

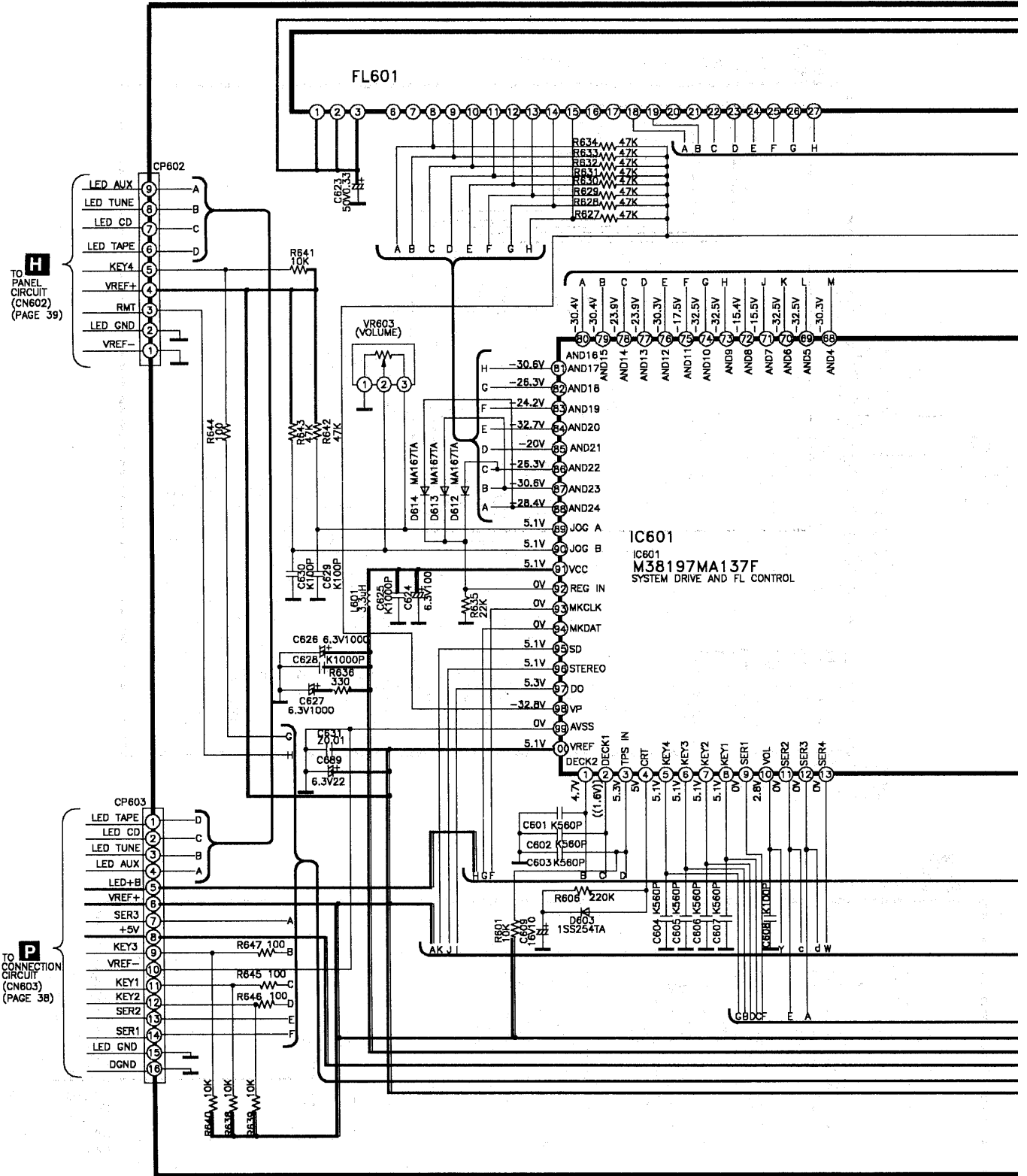


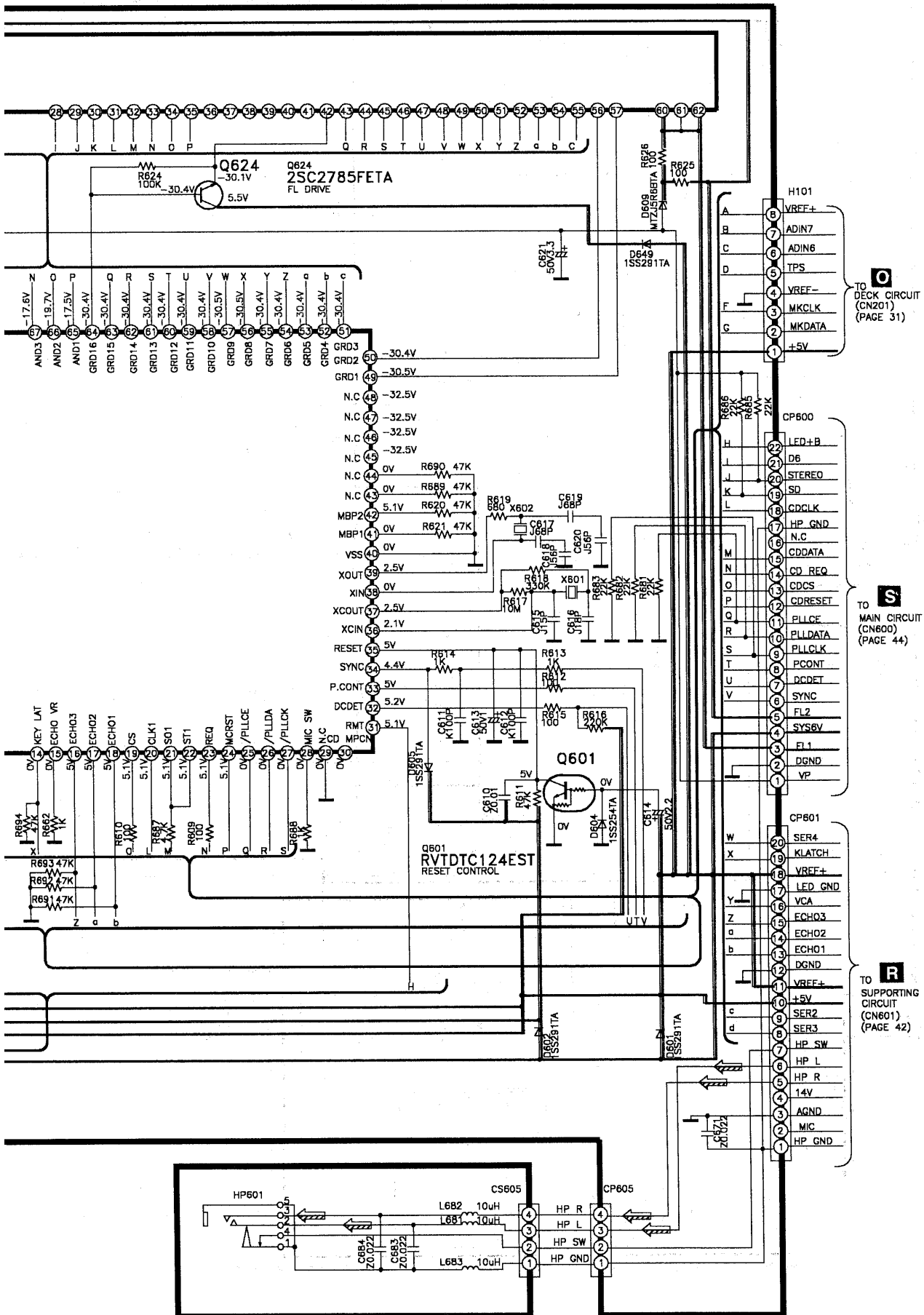
Q CD SWITCH CIRCUIT

H PANEL CIRCUIT



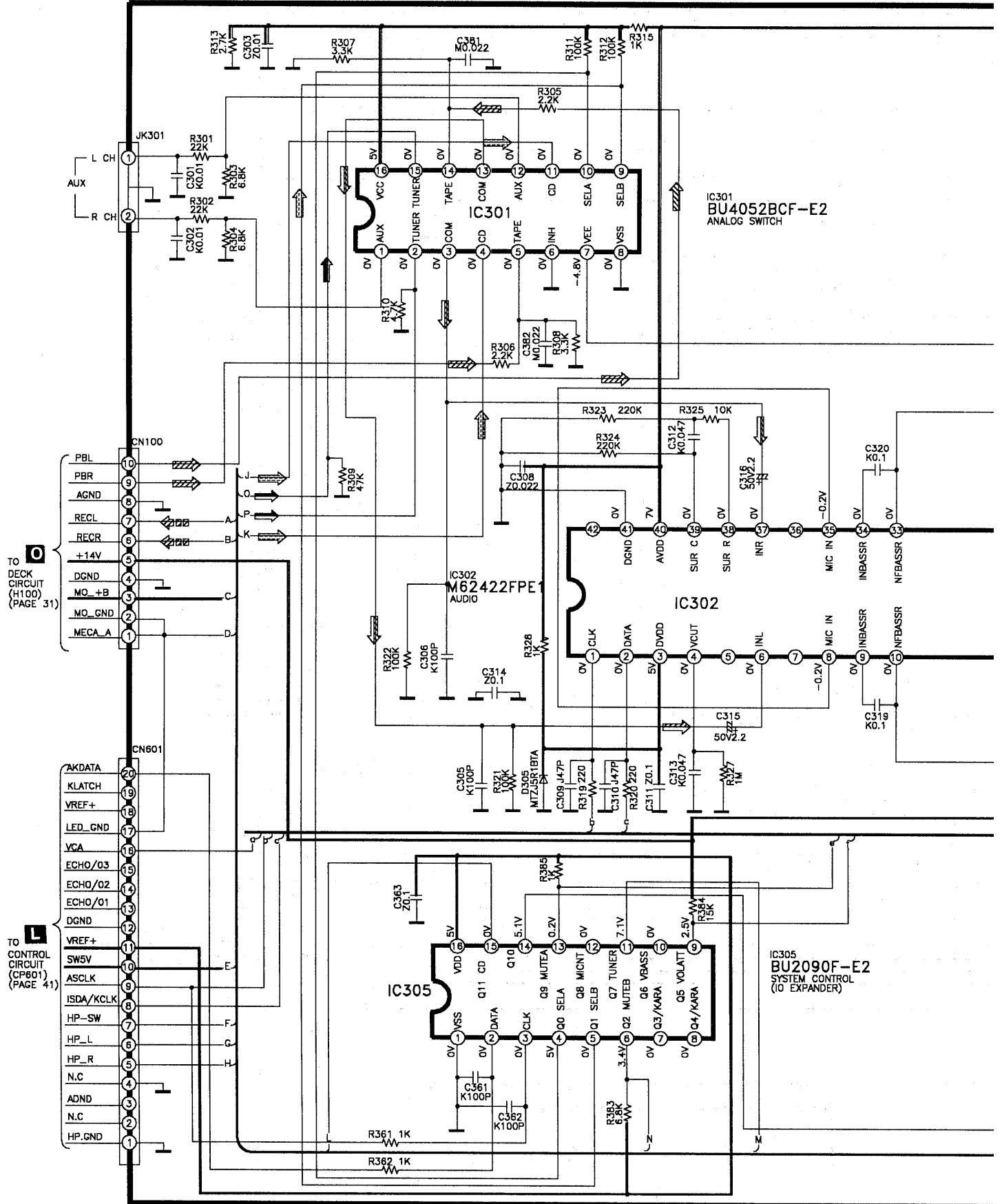
L CONTROL CIRCUIT

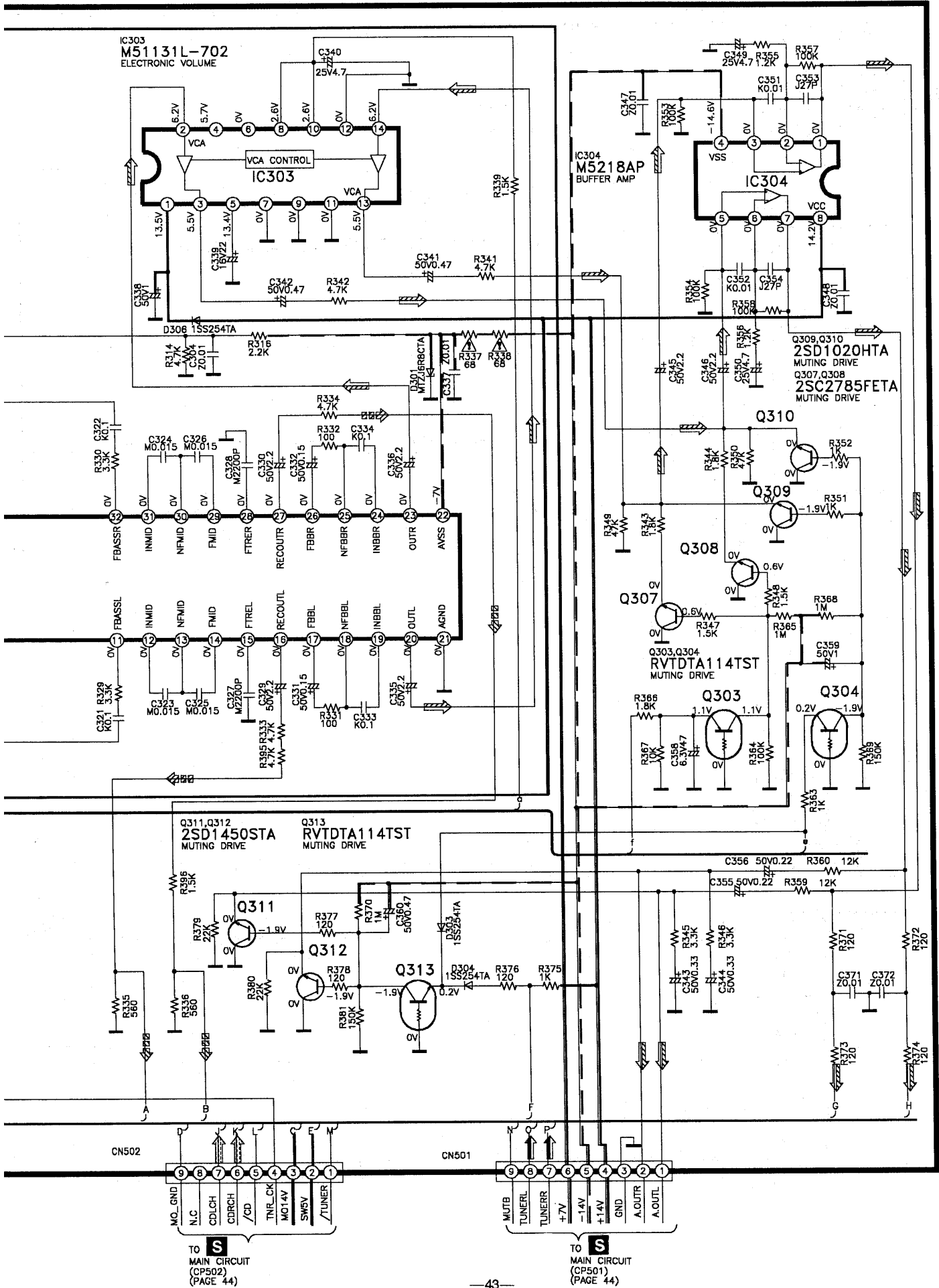




K HEADPHONE CIRCUIT

R SUPPORTING CIRCUIT

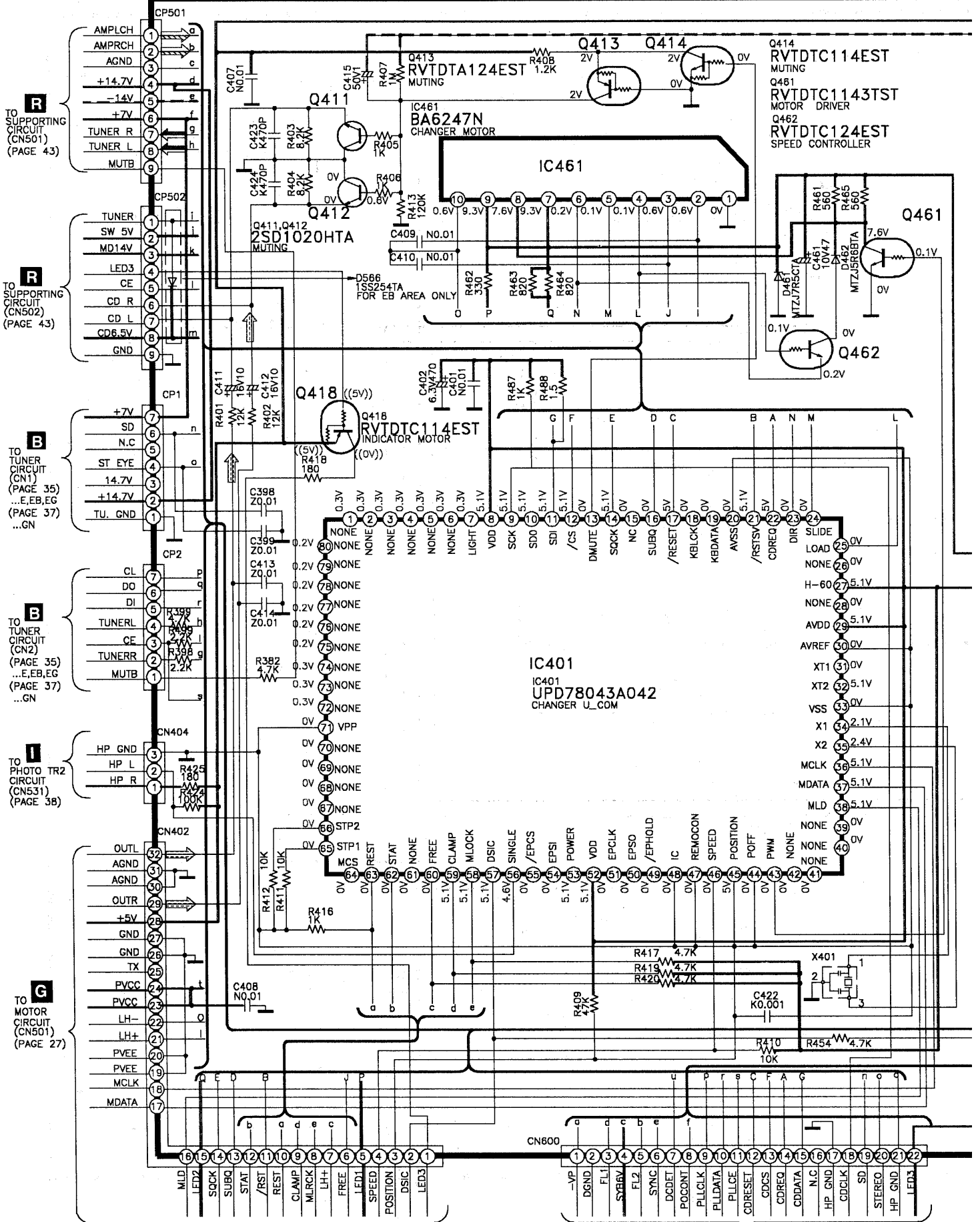




TO MAIN CIRCUIT (CP502) (PAGE 44)

TO MAIN CIRCUIT (CP501) (PAGE 44)

S MAIN CIRCUIT



R TO SUPPORTING CIRCUIT (CN501) (PAGE 43)

R TO SUPPORTING CIRCUIT (CN502) (PAGE 43)

B TO TUNER CIRCUIT (CN1) (PAGE 35) ...E,EB,EG (PAGE 37) ...GN

B TO TUNER CIRCUIT (CN2) (PAGE 35) ...E,EB,EG (PAGE 37) ...GN

I TO PHOTO TR2 CIRCUIT (CN531) (PAGE 38)

G TO MOTOR CIRCUIT (CN501) (PAGE 27)

I TO CONTROL CIRCUIT (CP800) (PAGE 41)

